

# 8339XLSTN-AW Baseball Controller Plate

Scoreboard Type: 500

Power Supply Outputs:  
**POWER 1 (DUAL) 10.5VDC:**  
 P1.1 ≈ 3.9A P1.2 ≈ 3.9A  
**POWER 2 (Quad) 10.5 VDC:**  
 P2.1 ≈ 3.9A P2.2 ≈ 3.9A  
 P2.3 ≈ 3.9A P2.4 ≈ 3.9A  
**POWER 3 (Quad) 10.5VDC:**  
 P3.1 ≈ 3.9A P3.2 ≈ 3.9A  
 P3.3 ≈ 4.3A P3.4 ≈ 4.3A  
**POWER 4 (QUAD - WHITE) 14.5 VDC:**  
 P4.1 ≈ 2.8A P4.2 ≈ 2.8A  
 P4.3 ≈ 2.2A P4.4 ≈ 2.8A  
**POWER 5 (Quad - WHITE) 14.5 VDC:**  
 P5.1 ≈ 3.9A P5.2 ≈ 3.9A  
 P5.3 ≈ 3.9A P5.4 ≈ 3.9A  
**POWER 6 (DUAL - WHITE) 14.5 VDC:**  
 P6.1 ≈ 3.9A P6.2 ≈ 3.9A

## INDICATOR OUTPUTS

- 2. 3rd Base
- 3. 1st Base
- 5. 2nd Base

NOT USED  
1,4,6-10

## TEAM NAMES

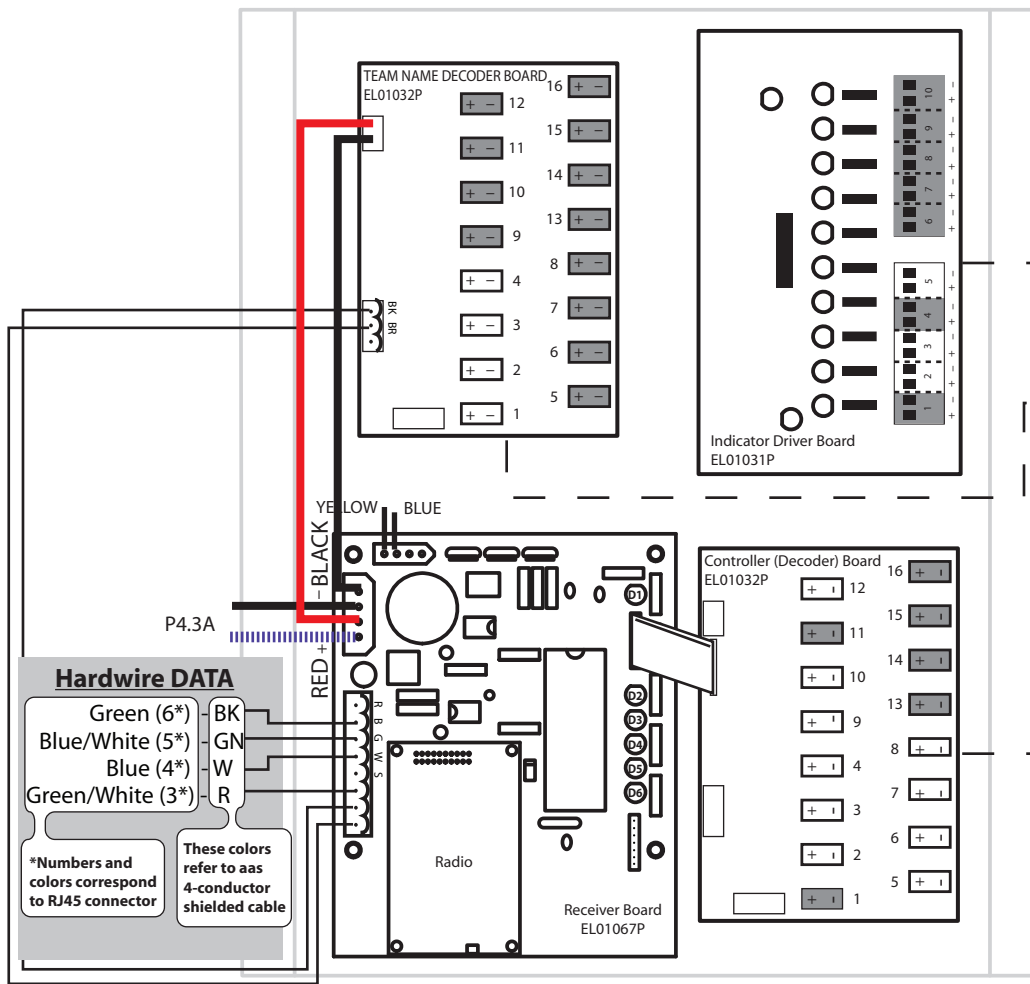
- 1. HOME (top)
- 1. HOME (bottom)
- 1. GUEST (top)
- 2. GUEST (bottom)

NOT USED  
5-16

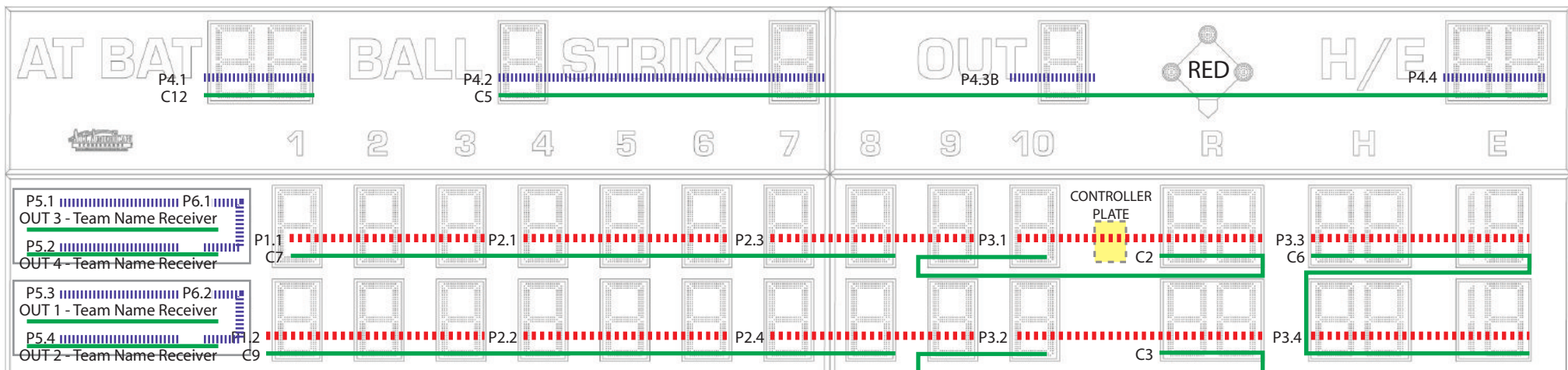
## DIGIT OUTPUTS

- 2. Guest Runs, Inn 9,10
- 3. Home Runs, Inn 9,10
- 4. On Base Indicators
- 5. Ball, Strike, Out, Hit/Error
- 6. Guest Hits, Errors
- Home Hits Errors
- 7. Guest Inn 1-8
- 9. Home Inn 1-8
- 12. At Bat

NOT USED: 1,11,13-16



"C" refers to controller board output. If Indicators are used, C4 data will go to the Indicator Driver Board and then to the digit(s).



All lower digits are 21" Amber. Top Cabinets Digits are 24" WHITE and RED Indicators.  
 Team Names are White 8.8" EMC tiles (x6), 8x48 Pixel Matrix. Max 4 panels per DC output.

— = DATA

▬ = 14.5VDC POWER (white)

▬ = 10.5VDC POWER (AMBER)

115 VAC / 60 Hz - 17.0 Amps  
 230 VAC / 60 Hz - 8.5 Amps